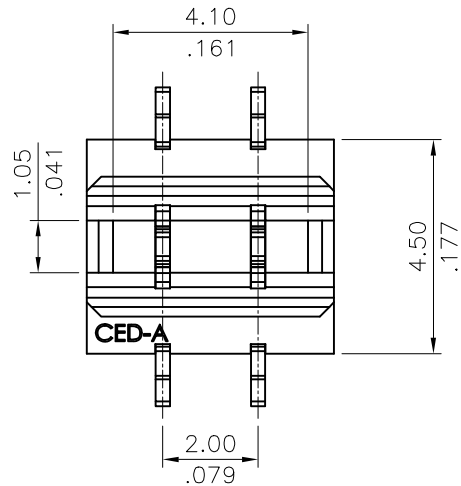


Ordering Code:

$\frac{CP27}{①}$ $\frac{02}{②}$ $\frac{M}{③}$ $\frac{1}{④}$ $\frac{V}{⑤}$ $\frac{00}{⑥}$ - $\frac{NH}{⑦}$

- ① Series No.
- ② No. of Circuits: 02 Pin
- ③ M= SMT type header
- ④ Plating: 1 = 3.05um(120u") ~ 4.88um(192u")
Matte Tin over 1.27um(50u") Nickel
- ⑤ Type: V= Straight
- ⑥ Option: 00= Standard
- ⑦ Other option:
-NH= For Lead Free IR Processes and Halogen-Free

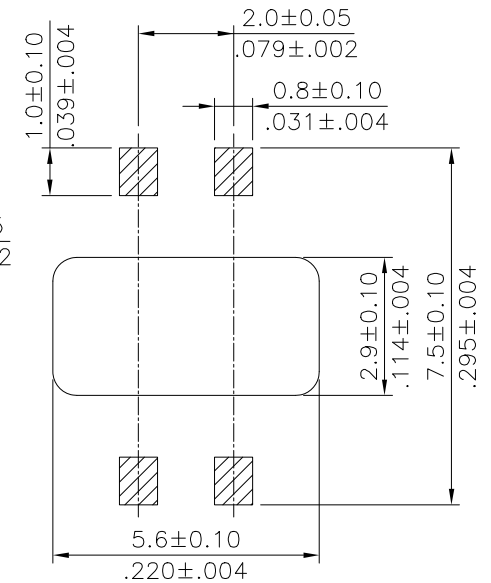
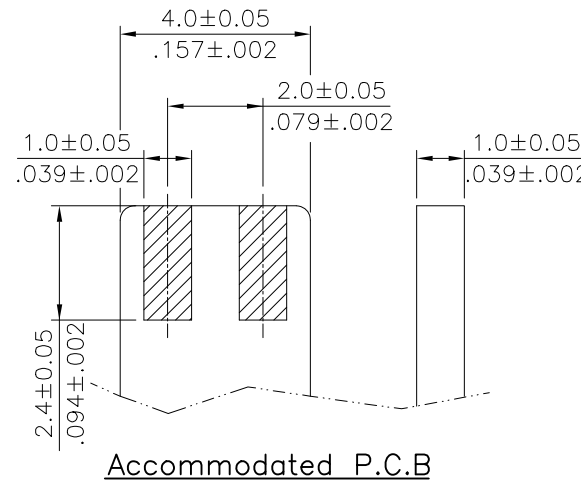
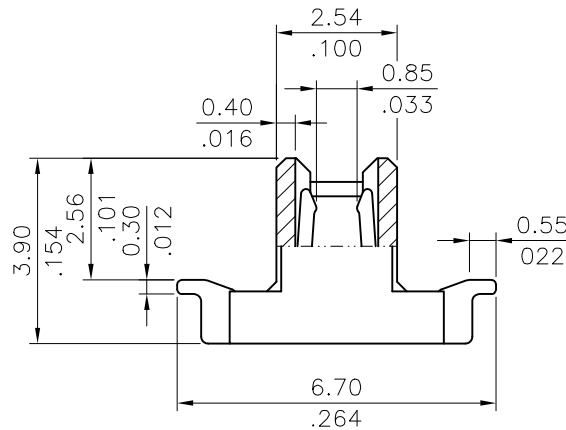
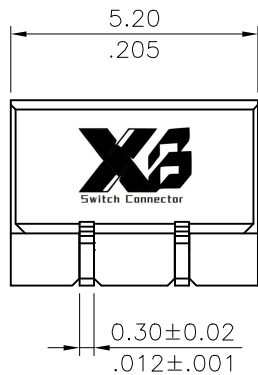


Note:

*Material:

Base: High temperature plastic
 UL 94V-0, Color Nature
 Contact: Copper alloy

*For Lead Free IR Processes
 and Halogen-Free



Recommended P.C. Board Layout

Halogen-Free

Lead Free Process

RoHS Compliant

④					DATE	UNIT: mm / inch	TITLE: 2.00MM(.079") WIRE TO BOARD CONNECTOR				
③				DRAWN BY:	Hank	2/18-16'	TOLERANCE UNLESS OTHERWISE SPECIFIED				
②				ENGINEER:	Eisley	2/19-16'		.X ± 0.25/.010	X* ± 1"		
①				CHECKED BY:	David	2/19-16'	.XX ± 0.15/.006	.X* ±			
SYM	NAME	DATE	REVISIONS	APPROVED BY:	David	2/19-16'	.XXX ± 0.05/.002	.XX* ±			
								DRAWING NO.	CP2702SA	PART NO.	CP2702M1V00-NH
								SCALE	6 / 1	SHEET	1 OF 1